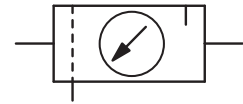


<b>Description</b>	Modular cube FRL service unit of modern design. Equipped with pressure gauge.	
<b>Media</b>	compressed air or non-corrosive gases	
<b>Supply pressure</b>	max. 11 bar for plastic bowl,	max. 17 bar for metal bowl with sight glass
<b>Adjustment</b>	by plastic knob with snap-lock	
<b>Relieving function</b>	relieving, optionally non-relieving	
<b>Gauge port</b>	G $\frac{1}{8}$ at C35 and C75, G $\frac{1}{4}$ at C105, on both sides of the body, one screw plug supplied	
<b>Filter element</b>	20 $\mu$ m or 40 $\mu$ m, optionally 5 $\mu$ m or 20 $\mu$ m, made of polypropylene	
<b>Bowl</b>	plastic version with or without bowl guard,	metal version with or without all-around sight glass
<b>Drainage</b>	manual drain as standard for max. 21 bar,	automatic or semiautomatic drain as option for max. 12 bar
<b>Temperature range</b>	0 °C to 50 °C / 32 °F to 122 °F for plastic bowl and automatic or semiautomatic drain version 0 °C to 70 °C / 32 °F to 158 °F for metal bowl with sight glass	
<b>Material</b>	Body: zinc die-cast at C35 and C75, aluminium at C105 Elastomer: NBR/Buna-N Inner valve: brass	Spring cage: glass fibre-reinforced plastic Bowl: polyurethane or zinc die-cast



G $\frac{1}{8}$  up to G $\frac{3}{4}$

Dimensions			Combination	Bowl	Filter	Flow	Connection	Order
A	B	C	consisting	design	element	rate	thread	number
mm	mm	mm	of	made of / with	$\mu$ m	m $^3$ /h*1	l/min*1	G

### FRL unit, 2-part

P $_1$ : max. 11 / 17 bar, P $_2$ : 0.3...9 bar, 20 / 40  $\mu$ m, manual drain, relieving, with pressure gauge

C35 / C75 / C105

81	178	108	B+L35	plastic	20	51	850	G $\frac{1}{8}$	C 35-01BL-A
				metal/sight glass					C 35-01BL-W
				plastic		60	1000	G $\frac{1}{4}$	C 35-02BL-A
				metal/sight glass					C 35-02BL-W
112	208	138	B+L75	plastic	40	102	1700	G $\frac{3}{8}$	C 75-03BL-A
				metal/sight glass					C 75-03BL-W
				plastic		114	1900	G $\frac{1}{2}$	C 75-04BL-A
				metal/sight glass					C 75-04BL-W
136	262	169	B+L105	plastic	40	222	3700	G $\frac{1}{2}$	C105-04BL-A
				metal/sight glass					C105-04BL-W
				plastic		246	4100	G $\frac{3}{4}$	C105-06BL-A
				metal/sight glass					C105-06BL-W



C75-03BL-A  
with plastic bowl

### FRL unit, 3-part

P $_1$ : max. 11 / 17 bar, P $_2$ : 0.3...9 bar, 20 / 40  $\mu$ m, manual drain, relieving, with pressure gauge

C35 / C75 / C105

122	178	108	F+R+L35	plastic	20	51	850	G $\frac{1}{8}$	C 35-01FRL-A
				metal/sight glass					C 35-01FRL-W
				plastic		60	1000	G $\frac{1}{4}$	C 35-02FRL-A
				metal/sight glass					C 35-02FRL-W
168	208	138	F+R+L75	plastic	40	102	1700	G $\frac{3}{8}$	C 75-03FRL-A
				metal/sight glass					C 75-03FRL-W
				plastic		114	1900	G $\frac{1}{2}$	C 75-04FRL-A
				metal/sight glass					C 75-04FRL-W
204	262	169	F+R+L105	plastic	40	222	3700	G $\frac{1}{2}$	C105-04FRL-A
				metal/sight glass					C105-04FRL-W
				plastic		246	4100	G $\frac{3}{4}$	C105-06FRL-A
				metal/sight glass					C105-06FRL-W



C75-03FRL-W  
with all-around sight glass

### Special options, add the appropriate letter

<b>5 <math>\mu</math>m filter element</b>		C...-0...-.G
<b>semiautomatic drain</b>	PKF35, piston drain,	C 35-0...-.S
	RK500SY, spring-loaded,	C...-0...-.M
<b>automatic drain</b>	SA605MD,	C...-0...-.R
	max. 12 bar for C35	
	max. 12 bar for all	
	max. 12 bar for C75/C105	

### Accessories, enclosed

<b>mount. bracket at spring cage</b>	for C35/C75	<b>BW30-02</b>	for C105	<b>BW45-02</b>
<b>aluminium nut</b>	for C35/C75	<b>M30x1,5A</b>	for C105	<b>M45x1,5A</b>
<b>mounting bracket, at the side</b>	for C35	<b>BW00-03</b>	for C75	<b>BW00-04</b>
			for C105	<b>BW00-05</b>

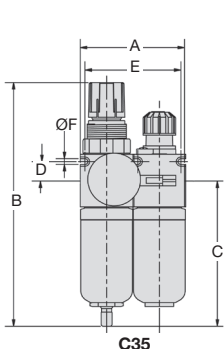


RK500SY

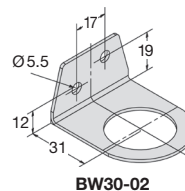
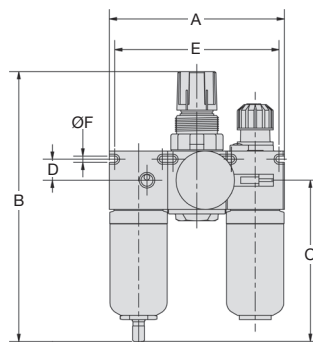
SA605MD



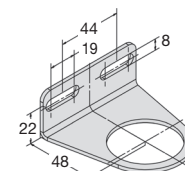
PKF35



C35



BW30-02



BW45-02

\*1 at 7 bar supply pressure, 6 bar outlet pressure and 1 bar pressure drop

**Further details:** see chapter for single devices  
**Spare parts:** see separate spare parts list

PDF CAD  
www.aircom.net



**Order example:**  
C35-01BL-A